

Request for Proposals

Process Technology Equipment - #2021-006 v2

Bishop State Community College

351 North Broad Street

Mobile, AL 36603

Purpose: Bishop State Community College is a state supported two-year college in the Alabama Community College System. The purpose of this RFB is to identify a vendor who can provide, deliver, and install a fully-functioning process technology instructional equipment lab and train faculty regarding its use.

RFP Response: Please provide a brief response to the following 5 categories - addressing your firm's capabilities to meet the college's expectations.

	Weight
1) <i>Describe capabilities</i> for repair and maintenance	15%
2) <i>Review needs</i> and develop written response	35%
3) List <i>three references</i> with whom we can speak	15%
4) <i>Wet-signed formal RFP response sheet w/pricing</i>	35%
5) Complete all <i>required forms</i> and affidavits on the RFP checklist	Pass/Fail

Capabilities: Please describe your capability to supply and install process technology systems such as a water circulation and distillation systems. List or describe any prior experience working with educational organizations to supply and install these systems.

Review Needs: Pages 3 and 4 of this RFP lists the needs and specifications requested by Bishop State. In your written response, please address and propose turnkey solutions. We someone who scan supply, deliver, install, and train faculty on the proper operation of each system.

Three References: Please provide a list of satisfied customers. Include contact information for these references so that we may call them to discuss their relationship with you.

Formal RFP Response Sheet: The formal RFP response sheet which contains the basic outline of how we would like to review your pricing proposal. Additional details may be requested during the selection process. details for each trip should be filled out electronically, then printed and wet-signed and included in your proposal package.

Required Forms: Please complete and return the RFP checklist and all properly signed and/or notarized forms and affidavits as required by the state of Alabama's laws and regulations regarding procurement with public funds, and any federal guidelines that may apply.

Sealed proposals (only) will be received until June 4th, 2021 at 1:00pm. At 1:30pm, the college will unseal and begin evaluation with the goal, but no guarantee, that a decision will be made the same week. As a member of the public you are invited to attend the unsealing at the address below. However no decision will be made at the public meeting.

All inquiries and questions regarding the equipment should be directed to Artheldia Greggs via email at: agreggs@bishop.edu

Sealed proposals should be clearly labeled on the outside and directed to:

Bishop State Community College
Business Office
Adam Merkle, *Purchasing Agent*
SEALED #2021-006 v2
351 N Broad Street
Mobile, AL 36603
(251) 405-7128
amerkle@bishop.edu

Specifications

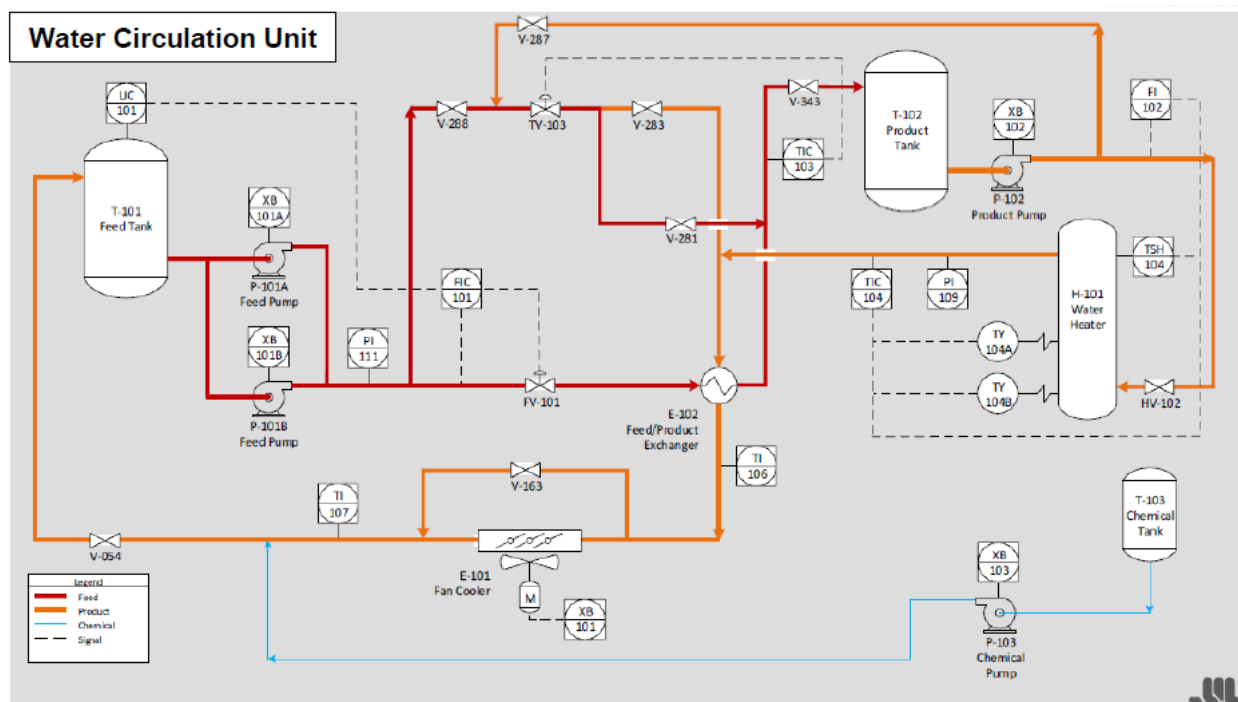
Equipment shall be equivalent to Polaris part numbers below:

HOT-1 Process Trainer

- Instrumentation
- Distributed Control System – Delta V Interface
- Integrated System eLearning curriculum w/complete set of exercises, troubleshooting scenarios, and simulation
- As-Built drawings
- Training documentation
- Two days startup assistance
- Two days train-the-trainer assistance
- Transportation to the site
- Manufacturer's warranty

If proposing alternate equipment, please include justification of equivalency

Approximate Diagram of Installation

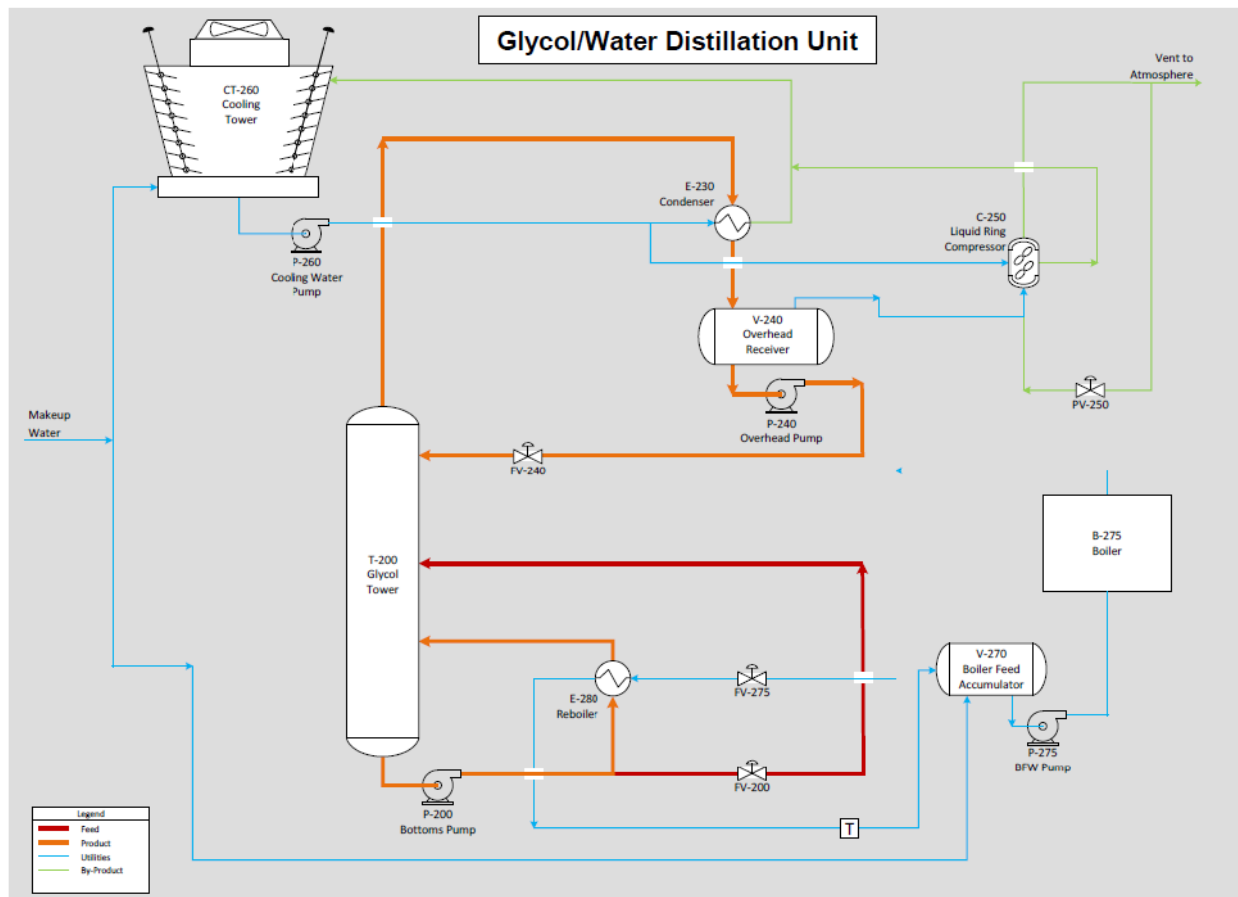


HOT-3 Glycol Distillation Trainer

- Instrumentation
- Distributed Control System – Delta V Interface
- Integrated System eLearning curriculum w/complete set of exercises, troubleshooting scenarios, and simulation
- As-Built drawings
- Training documentation
- Two days startup assistance
- Two days train-the-trainer assistance
- Transportation to the site
- Manufacturer’s warranty

If proposing alternate equipment, please include justification of equivalency

Approximate Diagram of Installation



***The total bid price includes all costs associated with the delivery, installation, set-up, and staff training for all equipment, with the exception of final placement by the college. The college will have all utilities in place. The winning supplier shall provide a complimentary normal set of start-up accessories.**

ADDITIONAL PROVISIONS

1. For the purpose of this RFB, the College designates a preference zone to include those entities operating within the state of Alabama.
2. The College reserves the right to accept bids in any combination, or reject any bid or part thereof and waive information that might be in the best interest of the College. The College expressly reserves the right to reject all bids if, in its sole discretion, the College believes the rejection of all bids would be in the best interests of the College.
3. After the bids are opened, all bids become the property of the College and will be made available for public inspection.
4. The proposal is to be made without connections with any other person, company, or party making a bid proposal and is to be in all respects fair and in good faith, without collusion or fraud.
5. Bishop State Community College is tax-exempt under number: 49-1557. Alabama Law (Section 41-4-116, Code of Alabama 1975) provides that every bid submitted and contract executed shall contain a certification that the vendor, contractor, and all of its affiliates that make sales for delivery into Alabama or leases for use in Alabama are registered, collecting, and remitting Alabama state and local sales, use, and/or lease tax on all taxable sales and leases into Alabama. **BY SUBMITTING THIS RFP or RFP, THE BIDDER IS HEREBY CERTIFYING THAT THEY ARE IN FULL COMPLIANCE WITH ACT NO. 2006-557.** They are not barred from bidding or entering into a contract pursuant to 41-4-116, and acknowledge that the awarding authority may declare the contract void if the certification is false.
6. Bid awards are subject to change or cancellation due to unanticipated decrease in funding (including tuition, local, state or federal). Bid awards are also subject to change or cancellation due to changes in local, state, federal laws, regulations or policies or in changes in the policies of the Alabama Community College System Board of Trustees.
7. Act 2001-955 requires the Disclosure Statement (included with this bid request) be completed and filed with all proposals, bids, contracts, or grant proposals to the State of Alabama in excess of \$5,000.00.
8. Alabama laws require that, as a condition for the award of a contract by a college to a business entity or employer with one or more employees working in Alabama, the business entity or employer must provide documentation of enrollment in the E-Verify program. During the performance of the contract, the business entity or employer shall participate in the E-Verify program and shall verify every employee that is required to be verified according to the applicable federal rules and regulations. The contractor's E-Verify Memorandum of Understanding must be

included with the bid. If you do not believe these requirements are applicable to your entity, include an explanation justifying such exemption. An entity can obtain the E-Verify Memorandum of Understanding upon completion in the E-Verify enrollment process located at the federal web site www.uscis.gov/everify. The Alabama Department of Homeland Security (<http://immigration.alabama.gov>) has also established an E-Verify employer agent account for any business entity or employer with 25 or fewer employees that will provide a participating business entity or employer with the required documentation of enrollment in the E-Verify program. An Employer Identification Number (EIN), also known as a Federal Tax Identification Number, is required to enroll in E-Verify or to establish an E-Verify employer agent account.

9. Invoicing frequency should generally be no more than once per month at the end of the billing period. Payment terms are net 30.

If Contract is awarded, the following conditions will apply and shall take precedence over any and all contrary or conflicting provisions of the agreement between the parties and shall govern the rights and obligations of the parties:

10. This agreement shall be governed by and construed in accordance with the laws of the State of Alabama without giving effect to any choice- or conflict- of- laws, provisions, or rules (whether of the State of Alabama or any other jurisdiction) that would cause the application of the laws of any jurisdiction other than those of the State of Alabama.
11. It is further agreed that the terms and commitments contained herein shall not constitute a debt of the State of Alabama in violation of Section 213 of the Constitution of Alabama of 1901, as amended by Amendment Number 26. If any provision of this agreement shall contravene any statute or constitutional provision, either now in effect or which may be enacted during the term of this agreement, then the conflicting provision of this agreement shall be deemed null and void. Vendor understands, acknowledges, and agrees that its sole and exclusive remedy for any claim which may arise from or relate to this agreement is to file a claim with the Board of Adjustment of the State of Alabama.
12. By signing this contract, the contracting parties affirm, for the duration of this agreement, that they will not violate federal immigration law or knowingly employ, hire, for employment, or continue to employ an unauthorized alien within the State of Alabama. Furthermore, a contracting party found to be in violation of this provision shall be deemed in breach of this agreement and shall be responsible for all damages resulting there from.
13. The relationship between the parties is that of independent contractors. Nothing contained herein shall be construed as creating any agency, partnership, joint

venture, or other form of joint enterprise, employment, or fiduciary relationship between the parties, and neither party shall have authority to contract for or bind the other party in any manner whatsoever.

14. This agreement constitutes the sole and entire agreement of the parties to this agreement with respect to the subject matter contained herein, and supersedes all prior and contemporaneous understandings, negotiations, and agreements, both oral and written, with respect to such subject matter.
15. In accordance with the recommendations of the Governor and the Attorney General of the State of Alabama, the parties shall consider settling all disputes arising from or related to this agreement by using appropriate forms of non-binding alternative dispute resolution.
16. In the event of proration of the fund from which payment under which this agreement is to be made, the agreement will be subject to termination.
17. This agreement may be executed in counterparts, each of which shall be deemed and original, but all of which together shall be deemed to be one and the same agreement.

Federal Funding Provisions, because a portion of funding may come from the federal government, federal contracting regulations could apply including everything listed in Appendix II to Part 200 of 2 CFR Chapter II.

18. By submitting bid or proposal, vendor agrees to comply with all federal guidelines including but not limited to:
 - a. Equal Employment Opportunity
 - b. Davis-Bacon Act, Copeland Anti-Kickback Act
 - c. Contract Work Hours and Safety Act
 - d. Rights to Inventions Made Under a Contract or Agreement
 - e. Clean Air Act and Federal Water Pollution Control Act
 - f. Energy Policy and Conservation Act
 - g. Debarment and Suspension Clauses
 - h. Byrd Anti-Lobbying Amendment